

OPTIONAL GLASSFILLER
LOCATION

PF SERIES
FILTER LOCATION

18 $\frac{5}{8}$ [473]

17 $\frac{3}{8}$ [448]

PUSH PADS—
NON-ELECTRONIC
EYE MODELS ONLY

NOTES:

1. TRAP, STOP VALVE AND ELECTRICAL OUTLET NOT FURNISHED.
2. ALLOW 4 INCHES [102 MM] VENT. PER SIDE FOR VENTILATION.
3. RECOMMENDED ADULT BARRIER FREE HEIGHT INSTALLATION SHOWN. REDUCE HEIGHT BY 3 INCHES FOR INSTALLATIONS USED PRIMARILY BY CHILDREN AGES 12 AND YOUNGER. UNIT SHALL ALSO HAVE A MINIMUM CLEAR FLOOR SPACE 30 [750] BY 48 [1220]. ADJUST VERTICAL DIMENSIONS AS REQ'D TO COMPLY WITH FEDERAL, STATE, AND LOCAL CODES.
4. ALL DIMENSIONS ARE IN INCHES. DIMENSIONS IN BRACKETS [] ARE IN MILLIMETERS.



PVBAC

PUSH BUTTON

ELECTRONIC EYE
MODELS ONLY

1/2 IPS WASTE
OPTIMUM LOCATION
STUB OUT 1 [25] INCH

PFAC/PFBAC(EE) FILTER

1/2 [13]
3/8 WATER SUPPLY
OPTIMUM LOCATION
STUB OUT 1 [25]

*33
[838]
CRIFICE

*29 $\frac{5}{8}$
[744]

*21 $\frac{1}{4}$
[540]

*18 $\frac{1}{8}$
[459]

*7
[432]

*16 $\frac{1}{2}$
[419]

7 $\frac{23}{32}$ [196]

12 $\frac{1}{4}$ [324]

6 $\frac{3}{8}$ [162]

5 $\frac{1}{4}$ [133]

3 $\frac{3}{8}$ [84]

1/4 [6] HANGER
MOUNTING HOLE

2/8 [8] HANGER
MOUNTING HOLES,
2 PLCS.

AR
FLOW

ELECTRICAL
OUTLET OPTIMUM
LOCATION

1/2 [38]

14 $\frac{3}{8}$
[359]

2 $\frac{1}{2}$ [57]

3 $\frac{3}{8}$
[90]

1/2 [25]

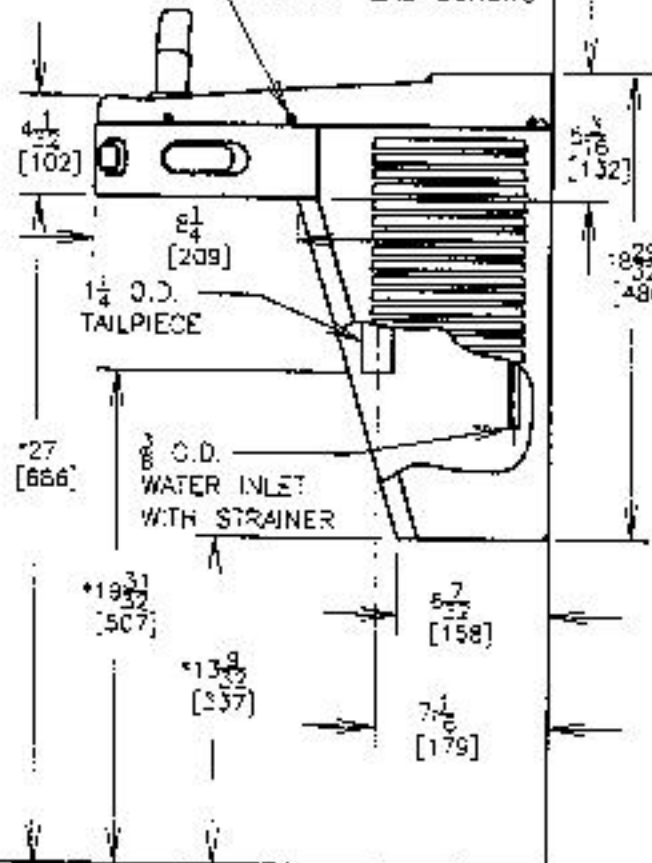
4
[102]

7
[178]

5 $\frac{7}{8}$ [392]

1/4 [6] MOUNTING
HOLES, 4 PLCS.

T15 DRIVE SIZE
TORX HEAD SCREWS



4 $\frac{1}{2}$
[102]

8 $\frac{1}{4}$
[209]

1/4 O.D.
TAILPIECE

*27
[686]

3/8 O.D.
WATER INLET
WITH STRAINER

*19 $\frac{31}{32}$
[507]

*13 $\frac{3}{8}$
[337]

5 $\frac{7}{8}$
[158]

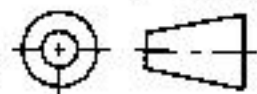
7 $\frac{1}{8}$
[179]

8 $\frac{1}{8}$
[206]

5 $\frac{1}{8}$
[132]

8 $\frac{25}{32}$
[480]

THIRD ANGLE PROJECTION



ROUGHING-IN
AND
DIMENSIONAL DRAWING