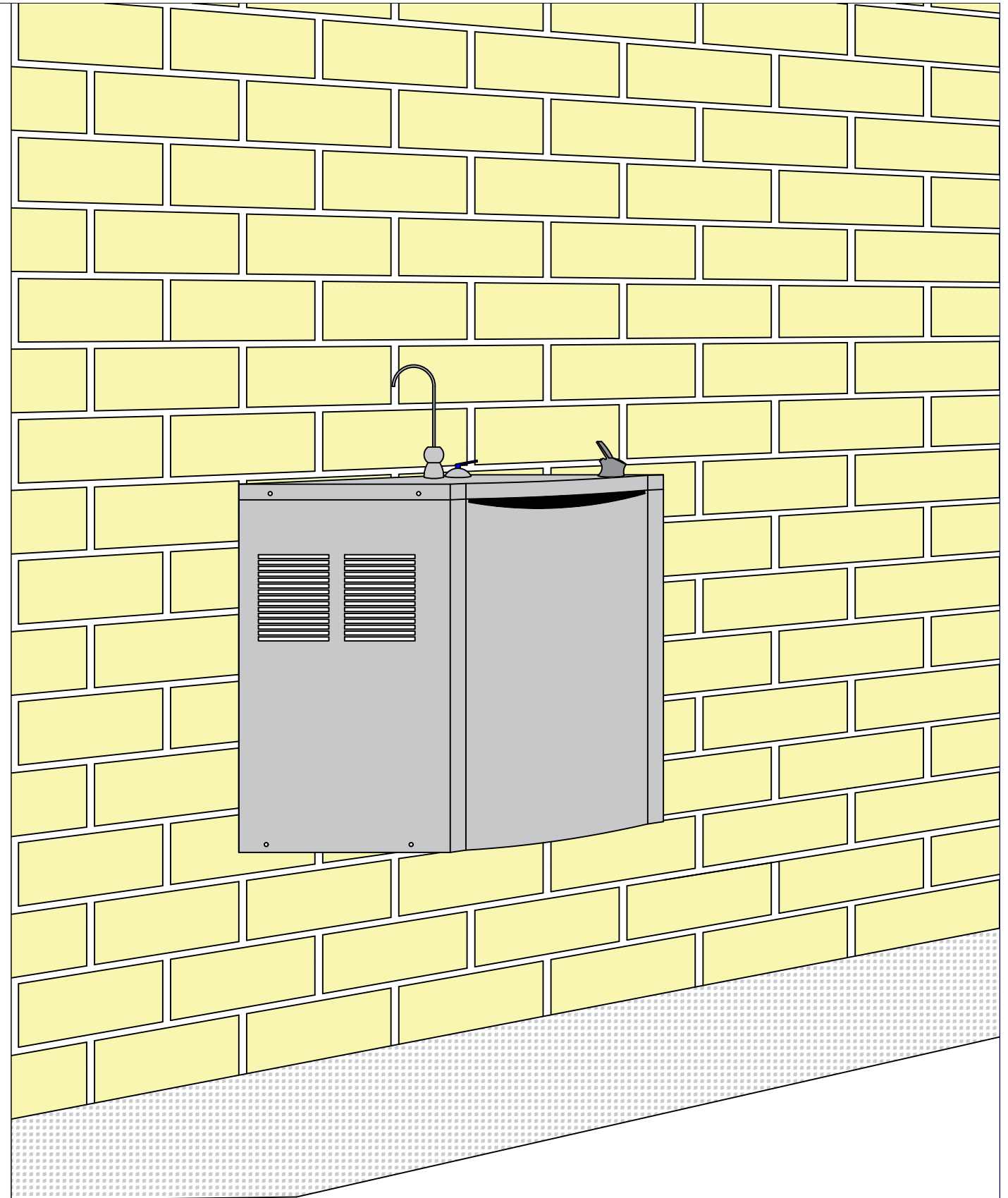
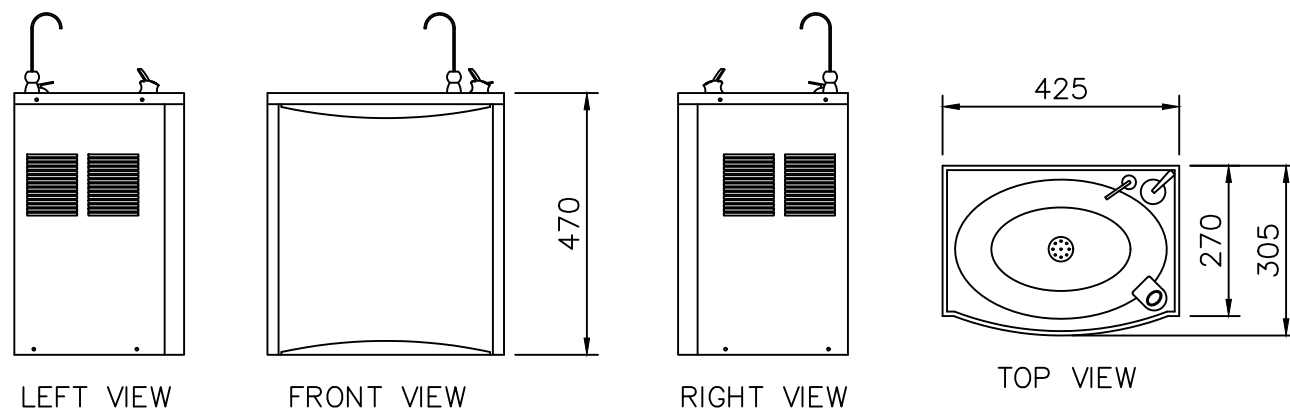


EXPLODED VIEW OF UNDERSIDE



Date	No.	DESCRIPTION	Auth.



THIS DRAWING REMAINS THE PROPERTY OF FRIGMAC PTY LTD. IT MUST NOT BE COPIED OR REPRODUCED IN ANY WAY WITHOUT AUTHORISATION.

FRIGMAC PTY LTD.

ABN 45008831392
PH-08 9250 2440
E-MAIL graeme@frigmac.com.au
UNIT 1/19 ELLIOTT ST
MIDVALE WA 6056.

MODEL

FCJ-297

DRAWING NUMBER: 2021-06