

**PROUDLY
AUSTRALIAN
MADE**

MODEL FRCS Refrigerated Water Chiller

to suit a 3 tap school drinking trough

Fitted with latest European heat exchange system

These refrigerated water coolers are designed to be installed underneath a school drinking trough. It can be installed along with a new drinking trough or can be fitted underneath an existing drinking trough thus saving on the cost purchasing new troughs, faucets and plumbing installation.



Water Supply

Mains Water Supply



Dimensions (mm)

Cabinet 850W, with Mounting bracket 950W x 340D x 280H (Boxed Measurements 1010W x 370D x 310H)



Weight

45kgs (Boxed Weight 51kgs)



Cooling System

R290 refrigerant, compressor



Colour

Stainless Steel Cabinet



Power Supply

220/240volt, 50hz, 1ph, 3.7 amps, 888 watts

Description and Features

Super efficient stainless steel water exchange water system, eliminating stored, stale water, while greatly **improving the energy saving**

This is a **wall mounted** refrigerated water chiller.

It must be **mounted horizontally**.

Must not be installed inside a cupboard or an enclosed space.

This water cooler is fitted with a **low ambient temperature control** to help prevent the refrigeration system from running in cooler weather (21 degrees C or below) and extending the life of the refrigeration system. *Children don't need to be drinking cold water when the outside temperature is below 21 degrees C.*

All the electrical wiring is **double insulated**.

All **water lines and fittings** are **insulated** to prevent condensation.

Has a **10amp power plug top**.

Will produce approximately **72 litres of cold water per hour**.

Water fittings **15mm female thread** (water in and water out).

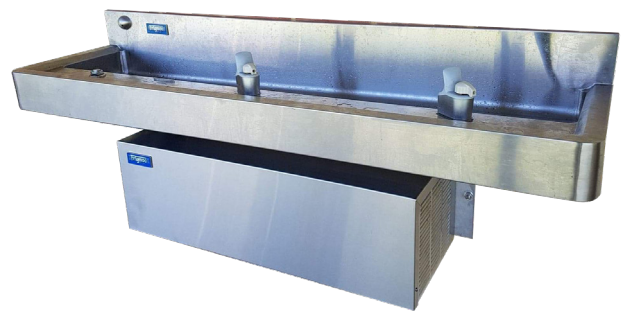
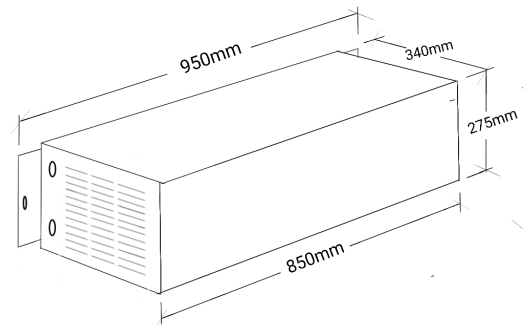
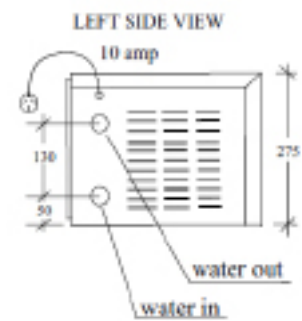
Maximum working water pressure 700kpa.

The outside and inside panelling in **stainless steel**.

All the nuts, bolts and screws are **stainless steel**.

Has **heavy gauge** 6mm x 100mm x 250mm stainless steel **wall mounting brackets**.

A **two year warranty** on the refrigeration system.



Call us today

Frigmac Pty Ltd

1300 805 732

info@frigmac.com.au

For more information,

visit www.frigmac.com.au

