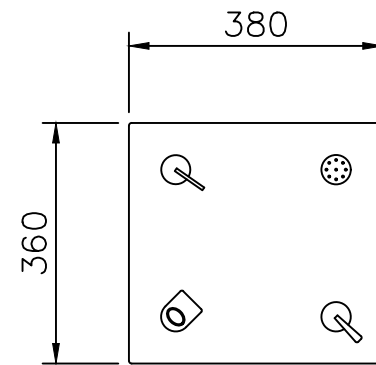
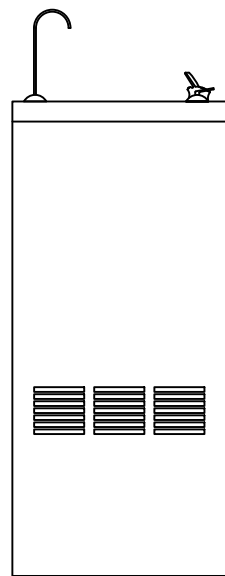


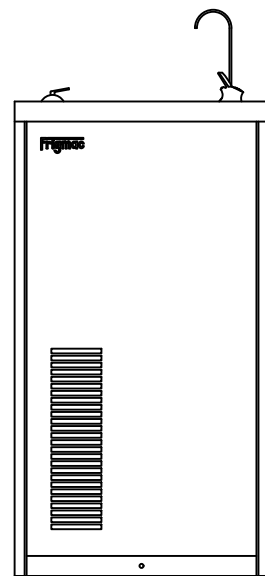
BACK VIEW



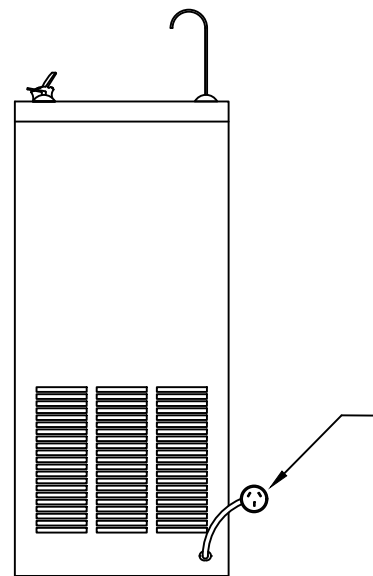
TOP VIEW



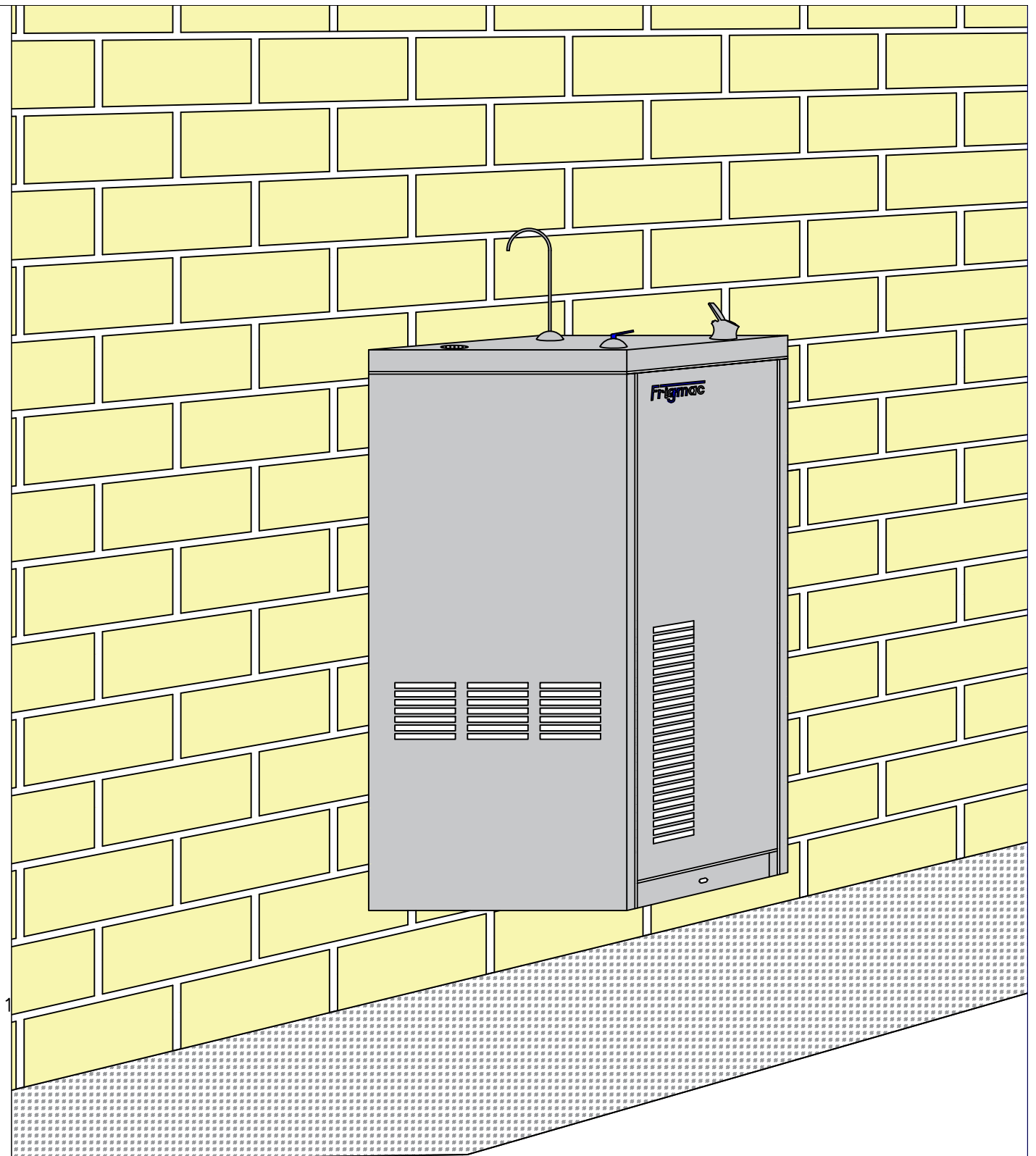
LEFT VIEW



FRONT VIEW



RIGHT VIEW



NOTE: UNIT IS WALL OR FLOOR MOUNTED ONLY AND IN A VERTICAL POSITION.

Date	No.	DESCRIPTION	Auth.



THIS DRAWING REMAINS THE PROPERTY OF FRIGMAC PTY LTD. IT MUST NOT BE COPIED OR REPRODUCED IN ANY WAY WITHOUT AUTHORISATION.

FRIGMAC PTY LTD.
 ABN 45008831392
 PH-08 9250 2440
 E-MAIL graeme@frigmac.com.au
 UNIT 1/19 ELLIOTT ST
 MIDVALE WA 6056.

MODEL	RW
DRAWING NUMBER: 2021-03	